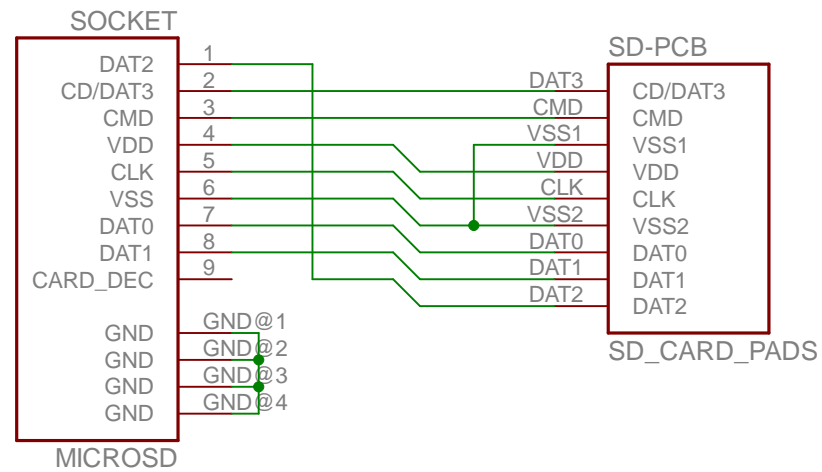


Low-Profile microSD card adapter for Raspberry Pi



LICENSE:
Released under Creative Commons Attribution
and Share Alike License.
<http://creativecommons.org/licenses/by-sa/4.0/>

More information about this
schematic at:
www.jrodrigo.net/low-profile

SD-Low-profile

05/03/2015 19:01:18

Sheet: 1/1

rev.a